

TECHNICAL FILE

TABLE LAMP - DL-05

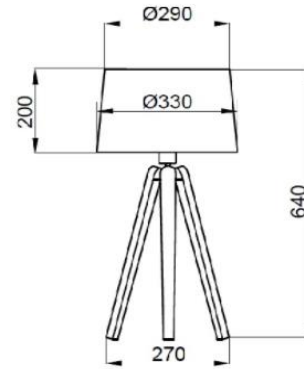


PROPERTIES

STRUCTURE	<p>Materials: Legs: wood - Lampshade: wood imitation laminate or white linen</p> <p>Switch: Switch on cable</p> <p>Type of socket: Three-pin type E & F (FR) Europe - adaptor for UK & CH version</p> <p>Cable length: 1m80</p>
TECHNICAL DETAILS	<p>Bulb: E27 LED glass bulb</p> <p>Power in W (or equivalent): 7 W</p> <p>Luminous flux: 806 Lumen</p> <p>Light temperature (in Kelvin): 2700 Kelvin</p> <p>Colour rendering index (CRI): 80</p> <p>Type of lighting: Soft</p> <p>Luminous efficiency (Lm/W): 115 lumens/watt</p>
POWER CONSUMPTION	<p>Electrical power consumption: 7 kWh / 1000h - very low energy consumption</p> <p>Energy rating: A+ (range of A++ to E)</p> <p>Lifetime of bulb: 8 000 hours</p>

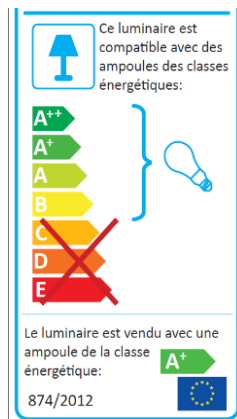
DIMENSIONS & WEIGHT

OVERALL DIMENSIONS (in mm)	
Height	640
Diameter Ø	330
Base - Width between legs	270
Lampshade - H x Ø	200 x 290/330
WEIGHT (kg)	1.56



TECHNICAL DIAGRAMS

Energy file



Class II

Made in France



eol.