

TECHNICAL DATA SHEET

FLOOR LAMP - FL09



CHARACTERISTICS

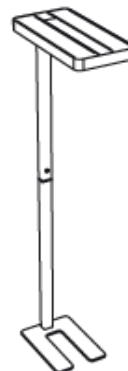
FLOOR LAMP

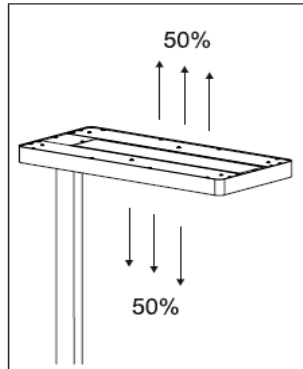
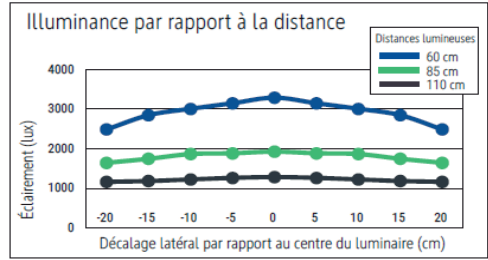
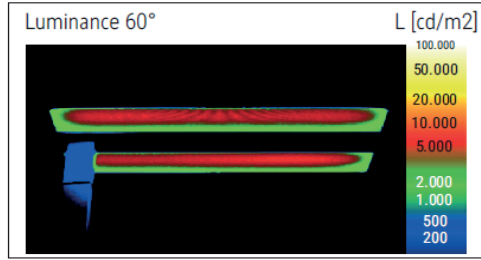
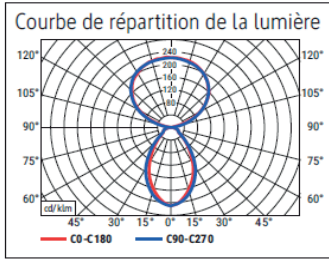
Structure	<p>Materials: Aluminium head and stem. Reflector: Direct/indirect lighting. Diffuser to reduce shadows. Closed head. Base: Weighted U-shaped base. Switch: Located on stem. Plug type: Type C European plug - Adaptor for UK/CH versions. Cable: 2.50 m</p>
Technical details	<p>Light source: Built-in LEDs (cannot be replaced). Direct/Indirect lighting. LEDs: 56 LEDs Power in W (or equivalent): 27 W Luminous flux: 2100 lumens - 3 brightness settings Colour rendering index (CRI): >80 Light temperature (in Kelvin): 4000 Kelvin (neutral white) Lighting - Direct/indirect: 1920 lux at 85 cm, 1280 lux at 110 cm Version with occupancy sensor: Brightness is constantly adjusted depending on amount of daylight and movements detected by the occupancy sensor. - Occupancy sensor: Lamp switches off if no movement is detected for 30 mins. - Daylight sensor.</p>
Power consumption	<p>Power consumption: 64 kWh / 1,000h (32 kWh / 1,000h & 2 x 16 kWh / 1,000h) Energy class: D (spectrum A++ to E) Rated lifespan: 20,000 hours</p>
Other	<p>Packaging: Safe, eco-friendly recyclable packaging.</p>

DIMENSIONS & WEIGHT

OVERALL DIMENSIONS (in mm)	
Height	1960
Head	610 x 280
Stem	53 x 35
Base	450 x 300

WEIGHT (kg)	14.5
-------------	------





Classe II

