


## CHARACTERISTICS

### INDIVIDUAL DESKS

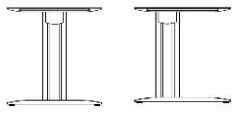


<p>DESKTOPS</p> 	<p>Melamine covered particle board panels 25 mm thick. 2 sides treated with an anti-reflective coating                  Panel density 600 to 670 kg/m<sup>3</sup>                  Bonded ABS edge banding 2 mm thick, rounded on upper and lower edges. Edge banding to match worktop finish</p> <p>Panels sourced from sustainably managed forests (PEFC).                  Fire rating M3 (combustible, moderately flammable) in accordance with the standard NF EN 13501-1                  Panels are certified E1 (control of formaldehyde emissions), emitting 6.5 mg HCNO/100 mg and compliant with standard NF EN 717-2</p> <p>Melamine panels comply with the standard ISO 22196 for antibacterial properties.</p> <p>The worktop extends slightly beyond the legs for flawless juxtaposition in multiple configurations</p> <p>&gt; Worktops predrilled in 2 places for optional cable ports ø 80 mm (one place for worktop L. 80 mm)                  No pre-drilled holes in worktops D. 600 x 800 / 1200 mm, returns or extensions</p> <p>&gt; Different worktop shapes (see summary)</p>
--	---

<p>LEGS - GENERAL (Various types)</p>	<p><b>Machine-welded tubular design legs, consisting of:</b></p> <p>&gt; <b>Top crossbeam</b> in folded sheet metal (L. 680 x H. 42 mm), 3 mm thick, secured to the worktop by 2 M6 screws</p> <p>&gt; <b>Leg upright: available in fixed and height-adjustable versions</b>  <u>Fixed-leg version:</u> <b>Upright</b> consisting of two 50 x 30 mm semi-oblong tubular sections, welded to the upper crossbeam and the metal base plate. Sheet steel 1.5 mm thick Upper metal plate, sheet steel 1.5 mm thick, assembled by welding</p> <p><u>Height-adjustable version:</u> <b>Upright</b> consisting of</p> <ul style="list-style-type: none"> <li>- 1 upper vertical shaft in curved and folded sheet steel 2 mm thick with a central internal metal clamping plate (2 mm thick) cut out and machined in its centre on the upper part for positioning in 20 mm steps</li> <li>- 1 lower vertical shaft in curved and folded sheet steel, 1.5 mm thick, reinforced at the centre with a welded metal clamping plate (2 mm thick). This lower shaft is welded to the base.</li> </ul> <p>This system provides for sliding leg adjustment. The leg is tightened with bolts on the lower upright at the desired height.</p> <p>&gt; <b>Metal</b> base welded to the 2 uprights. Pressed sheet steel 2.5 mm thick L 680 x D 65 mm</p> <p>&gt; Levelling stabiliser feet in black ABS with a 15 mm adjustment range</p> <p>&gt; Finish: epoxy powder Choice of colours (see shade card)</p> <p><b>Fixed height leg:</b> Worktop height H. 735 mm</p> <p>&gt; Possible to add an internal metal cable holder to route cables down the legs (see Vertical cable management)</p> <p><b>Height-adjustable leg:</b> Adjustable from 620 to 860 mm in 20 mm steps via telescopic legs secured using bolts. Only available in perimeter leg version</p>
---	--




# CHARACTERISTICS

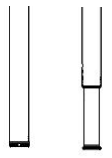

## FIXED LEGS WITH OPTIONAL CABLE HOUSING

	<p><b>"I"-shaped perimeter leg and "L"-shaped cantilever leg with crossbeam</b></p> <ul style="list-style-type: none"> <li>&gt; Tubular crossbeam with cross-section 50 x 20 mm, 1.5 mm thick</li> <li>&gt; Crossbeam secures to the leg using a beam hook in 4 mm thick sheet steel welded to the upper crossbeam forming the bridge</li> <li>&gt; Crossbeam finish: Aluminium grey</li> <li>&gt; The crossbeam can accommodate an optional metal cable trough</li> </ul>
	<p><b>Cantilever leg with metal modesty board</b></p> <ul style="list-style-type: none"> <li>&gt; Metal modesty board which joins the 2 legs and ensures stability and structural rigidity</li> <li>&gt; Metal modesty board in folded sheet steel 0.7 mm. thick. Lacquered epoxy finish to match the legs (see shade card)</li> <li>&gt; Overall dimensions: D. 20 x H. 300 mm</li> <li>&gt; Secured to the legs by metric screws and cam lock nuts</li> <li>&gt; Openings at the upper extremities <math>\varnothing</math> 50 enable the passage of cabling from the worktop to the cable trough or to the ABS cable channel along the leg.</li> <li>&gt; The modesty board can accommodate an optional metal cable trough</li> </ul>
<p>OPTIONAL CABLE HOUSING</p> 	<p>Optional metal cable housing for all fixed-leg versions, allowing routing of cables down from the worktop</p> <ul style="list-style-type: none"> <li>&gt; Internal folded metal panel (0.7 mm thick).</li> <li>&gt; Fitted with a fixed ABS cable column on the inner face. RAL 9007 for Aluminium grey and Graphite grey cable housings, RAL 9010 White for all other finishes.</li> </ul>

## HEIGHT-ADJUSTABLE LEGS

	<p><b>Only available in perimeter leg version with crossbeam (see under GENERAL for technical information)</b></p> <p><b>Note:</b> A set of 8 spacers is optionally available to raise desk-height pedestals by 20 or 40 mm maximum when used with height-adjustable desks</p>
--	--

## SUPPORT LEGS

	<p><b>Round tubular leg</b></p> <p>Compatible with 90° asymmetric compact workstations without juxtaposed desk-height pedestal on the return side, and with extensions Available in fixed (worktop height 735 mm) or height-adjustable version (620 - 860 mm)</p> <p>Welded metal leg, lacquered epoxy, consisting of:</p> <ul style="list-style-type: none"> <li>&gt; 1 plate secured to the underside of the worktop using 4 screws and welded to the tube</li> <li>&gt; 1 tubular leg <math>\varnothing</math> 60 mm</li> <li>&gt; Stabiliser foot with a 15 mm adjustment range for levelling, in black injected polypropylene</li> </ul>
	<p><b>Fixed-height 90° corner angle leg</b></p> <p>Compatible with 90° or 120° compact symmetrical worktops, central corner angle leg joining the 2 crossbeams for the perimeter leg version.</p> <p>Available in fixed leg version only (worktop height: 735 mm)</p> <p>Welded metal leg, lacquered epoxy, consisting of:</p> <ul style="list-style-type: none"> <li>&gt; 1 plate secured to the underside of the worktop using 4 screws and welded to the crossbeam support in 4mm thick sheet steel</li> <li>&gt; 1 round tubular upright <math>\varnothing</math> 60 mm, 1.5 mm thick and welded to the fixing plate, 3 mm thick</li> <li>&gt; Stabiliser foot with a 15 mm adjustment range for levelling, in black injected polypropylene</li> </ul>

<p>ASSEMBLY SYSTEM</p>	<p><b>Assembly of the legs</b></p> <p>Legs can be joined in two ways: either using the crossbeam, or by securing to the structural metal or melamine modesty board (see above)</p> <p><b>Attachment of structure to worktop:</b></p> <p>Attached using screwed metal inserts to simplify assembly and disassembly while providing excellent structural rigidity (140 kg per insert under test conditions)</p>
------------------------	---



# DIMENSIONS

OVERALL DIMENSIONS (in mm)			
Individual desks	RECTANGULAR		RECTANGULAR with structural pedestal
Depth	600	800	800
Width	800/1200/1400/1600	800/1200/1400/1600/1800	1400/1600/1800
Fixed leg height	735	735	735
Height of HA leg	620 - 860 mm	620 - 860 mm	-

Individual desks	90° ASYMMETRICAL COMPACT DESKS RT. 600 mm	90° ASYMMETRICAL COMPACT DESKS RT 600 mm with structural pedestal	90° COMPACT DESK-END MEETING EXTENSIONS
Depth	1200 (Return D. 600 mm)	1200 (Return D. 600 mm)	1350 (Return D. 600 mm)
Width	1600 / 1800	1600 / 1800	1800
Fixed leg height	735	735	735
Height of HA leg	620 - 860 mm	-	-

Individual desks	90° SYMMETRICAL COMPACT DESKS RT. 800 mm Symmetrical or asymmetrical structure	120° SYMMETRICAL COMPACT DESKS RT 800 mm Symmetrical structure
Depth	1400 (Returns D. 800 mm)	1290 (Returns D. 800 mm)
Width	1400 / 1600	2080 (L. 1200 x 1200)
Fixed leg height	735	735
Height of HA leg	-	-

Returns and extensions	RETURNS Rectangular	DESK-END MEETING EXTENSION	HALF-MOON TABLE	90° CORNER ANGLE UNIT
Depth	600	400	600	800
Width	800 / 1200	800	1650	800
Fixed leg height	735	735	735	735
Height of HA leg	620 - 860 mm	620 - 860 mm	620 - 860 mm	-





You have chosen our range of IDOL desks, which carry the NF Office Excellence Certifié label, the NF Environnement label for furnishings quality mark.

These, therefore, are desks with a reduced environmental impact throughout their life cycle. These products have high specifications (complying with the technical requirements of the most stringent Quality Marks such as NF Office Excellence Certifié) and their environmental performance is assessed on the basis of 19 criteria. Our production site is audited annually. In ergonomic terms, IDOL is available in a fixed version, but also offers a height-adjustable version in order to provide worktop heights adapted to the body shape and needs of every user. In addition, cable management is taken into account, thanks to cable ports on the worktop sold as an option, and the option to add horizontal cable troughs beneath the worktop.

To clean the paintwork, we recommend non-abrasive cleaning products based on water, soap and alcohol (e.g. window cleaner), avoiding prolonged contact (test on a hidden area). For the maintenance of melamine desktops, we recommend using a dry cloth moistened with soapy water. Only PH neutral products are advised (never use powder detergents or products containing solvents). Warning: the white (MG) finish is not resistant to eosin dye stains. Finishes Black velvet MK and Black N9 do not have the NF or NF Office Excellence certification due to the high contrast of these finishes with white paper and the eye fatigue that such contrasts can cause. We undertake to ensure the availability of individual components and spare parts to restore the furniture to its original condition for a period of 5 years after the final production date of the range concerned; however, differences in colour may occur.

This item is at least 97% recyclable. On disposal, we recommend that you take it to a drop-off site where it can be dismantled: all the different elements are separable and the nature of any plastic parts weighing more than 50 g is clearly identified. For large volumes in France, you can contact the environmental organization Valdélia ([www.valdelia.org](http://www.valdelia.org)) which will suggest appropriate solutions. Finally, you can obtain full details of the specifications for the NF Environnement mark for furnishings from:

Institut Technologique FCBA  
 10 rue Galilée  
 77420 Champs-sur-Marne  
[www.fcba.fr](http://www.fcba.fr)

For further information, consult [www.nf-environnement-ameublement.com](http://www.nf-environnement-ameublement.com)

Please keep this notice throughout the life of your purchase.



Antibacterial surface

