

DESK LAMP - OL 02



PROPERTIES

STRUCTURE	<p>Materials: Aluminium/steel/ABS</p> <p>Switch: Touch switch on base.</p> <p>Type of socket: Type E&F (FR) Euro Triple - adaptor for UK version plug</p> <p>Functions: 5-level dimmer, with 3 different colours of light</p> <p>Other: Wireless induction charger (works with devices equipped for induction charging)/ nightlight function/ automatic shutoff function after 60 minutes/ USB port/ ambient light detector</p>
-----------	--

TECHNICAL DETAILS	<p>Bulb: Integrated LEDs - LEDs cannot be changed</p> <p>Power in W (or equivalent): 10,9 W</p> <p>Luminous flux: 650 lumen</p> <p>Colour rendering index (CRI): 80</p> <p>Light temperature (in Kelvin): 2 800 to 5 700 Kelvin</p> <p>Luminous efficacy (Lm/W): 60 lumens/watt</p>
-------------------	---

POWER CONSUMPTION	<p>Electrical power consumption: 10 kWh / 1000h</p> <p>Energy rating: A (range of A++ to E)</p> <p>Lifetime of bulb: 35 000 hours</p>
-------------------	--

DIMENSIONS & WEIGHT

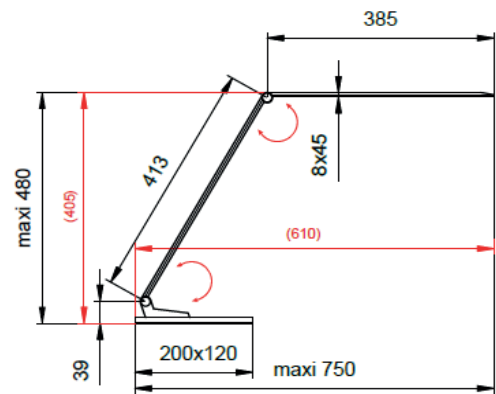
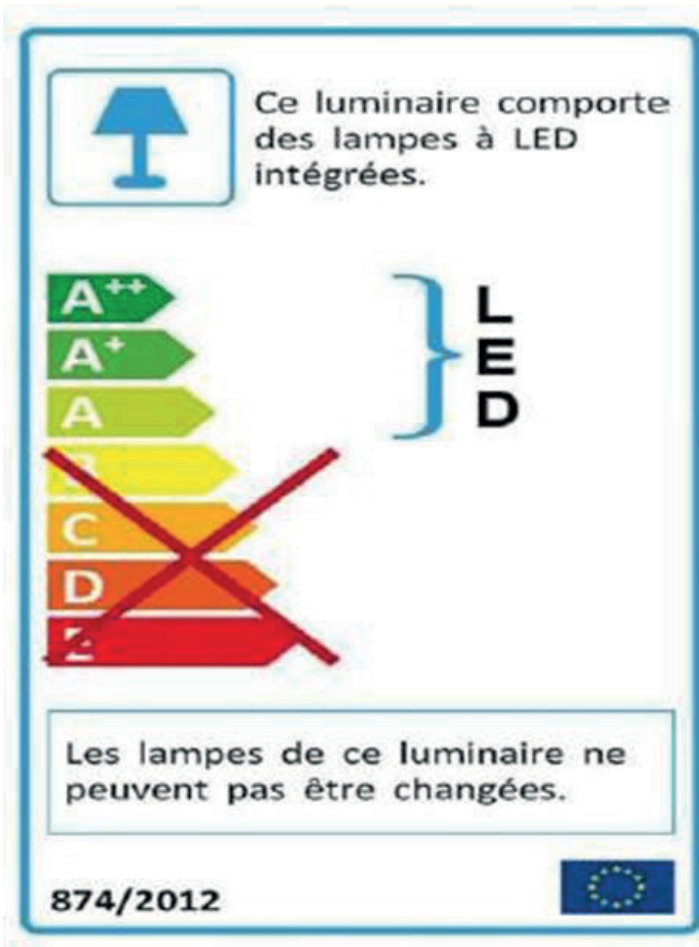
OVERALL DIMENSIONS (in mm)

Max. height	455
Max. width	645
Base	205x126
Head	328x61

WEIGHT (kg)	1,06
-------------	------



Energy file



Classe II

